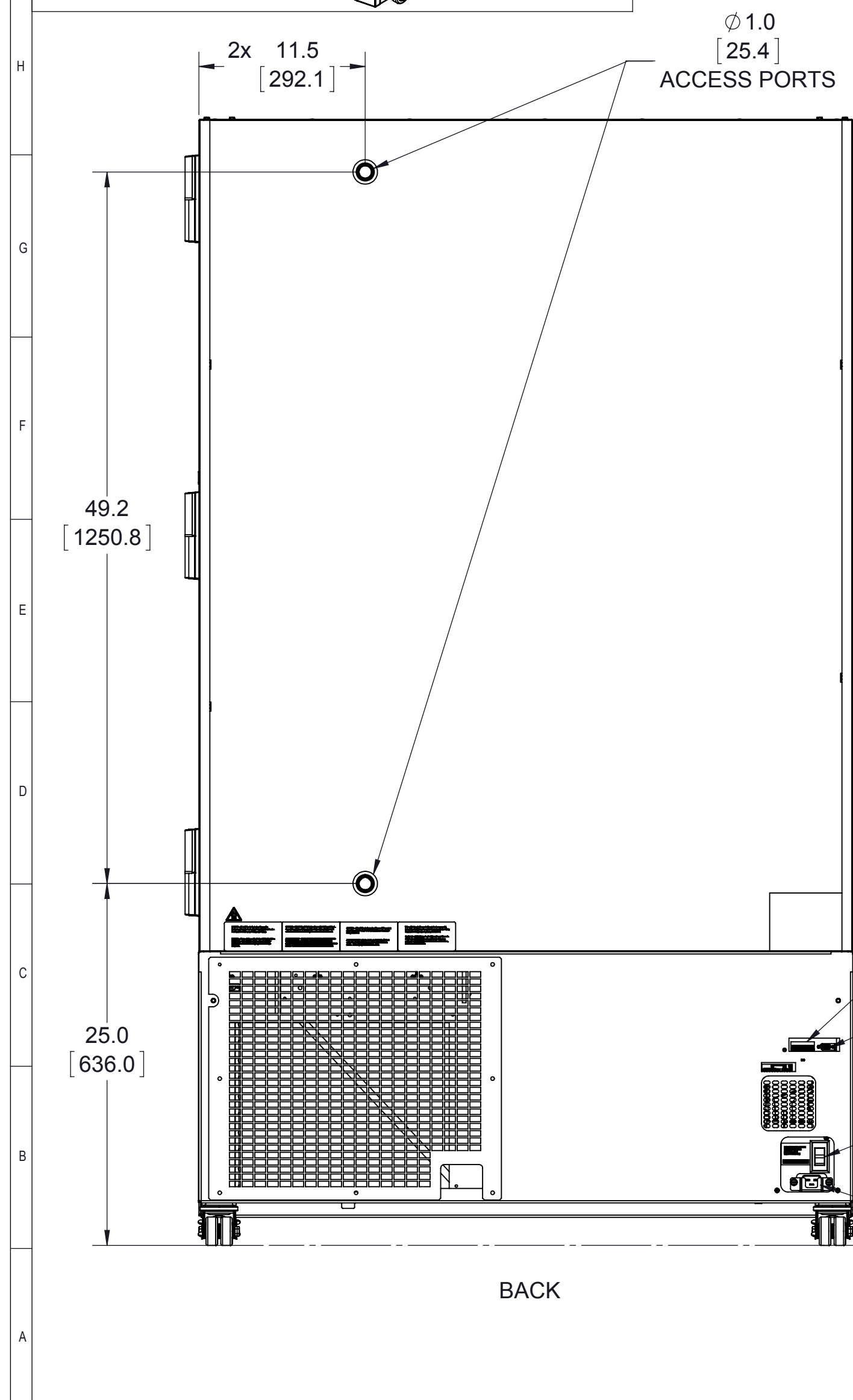
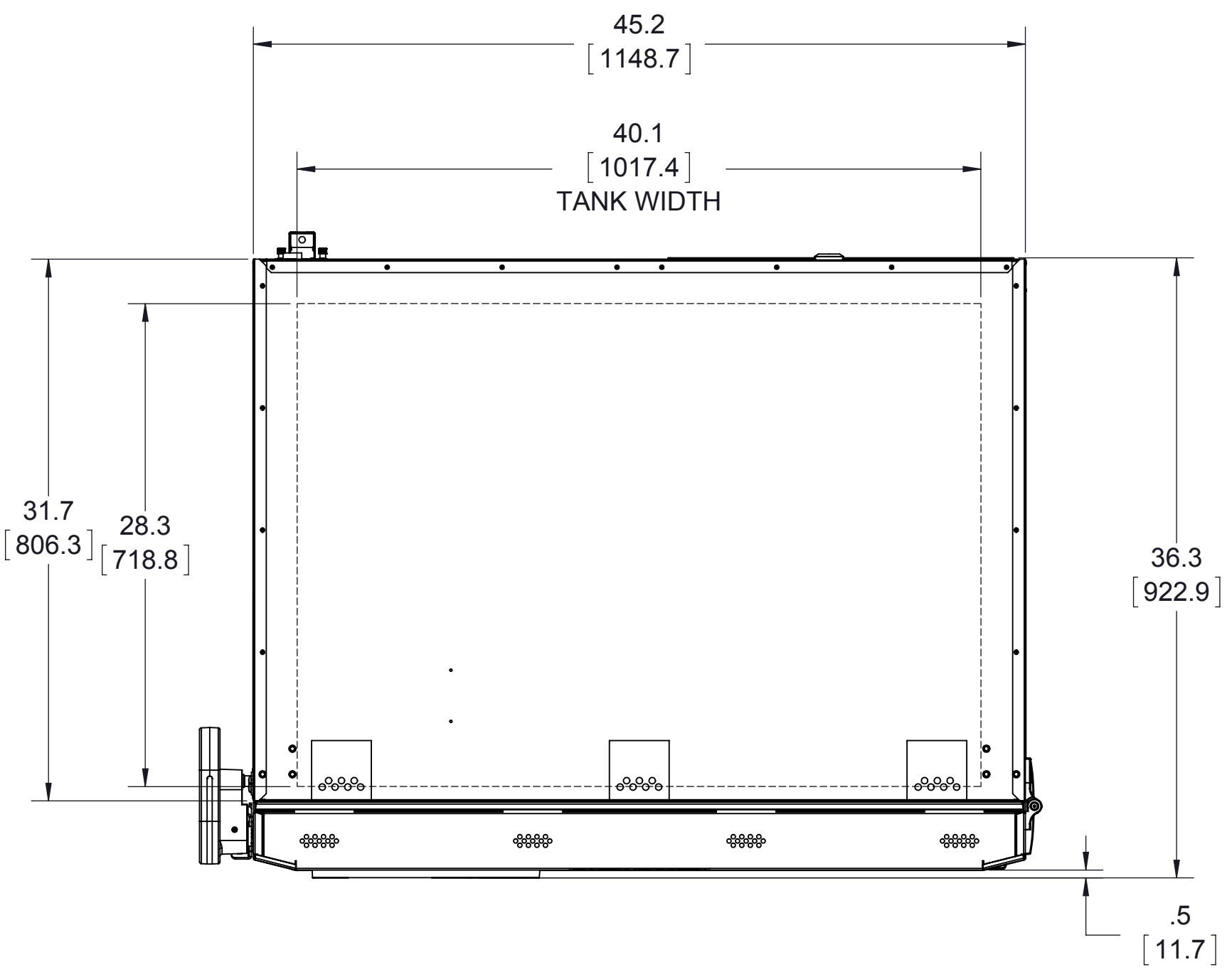


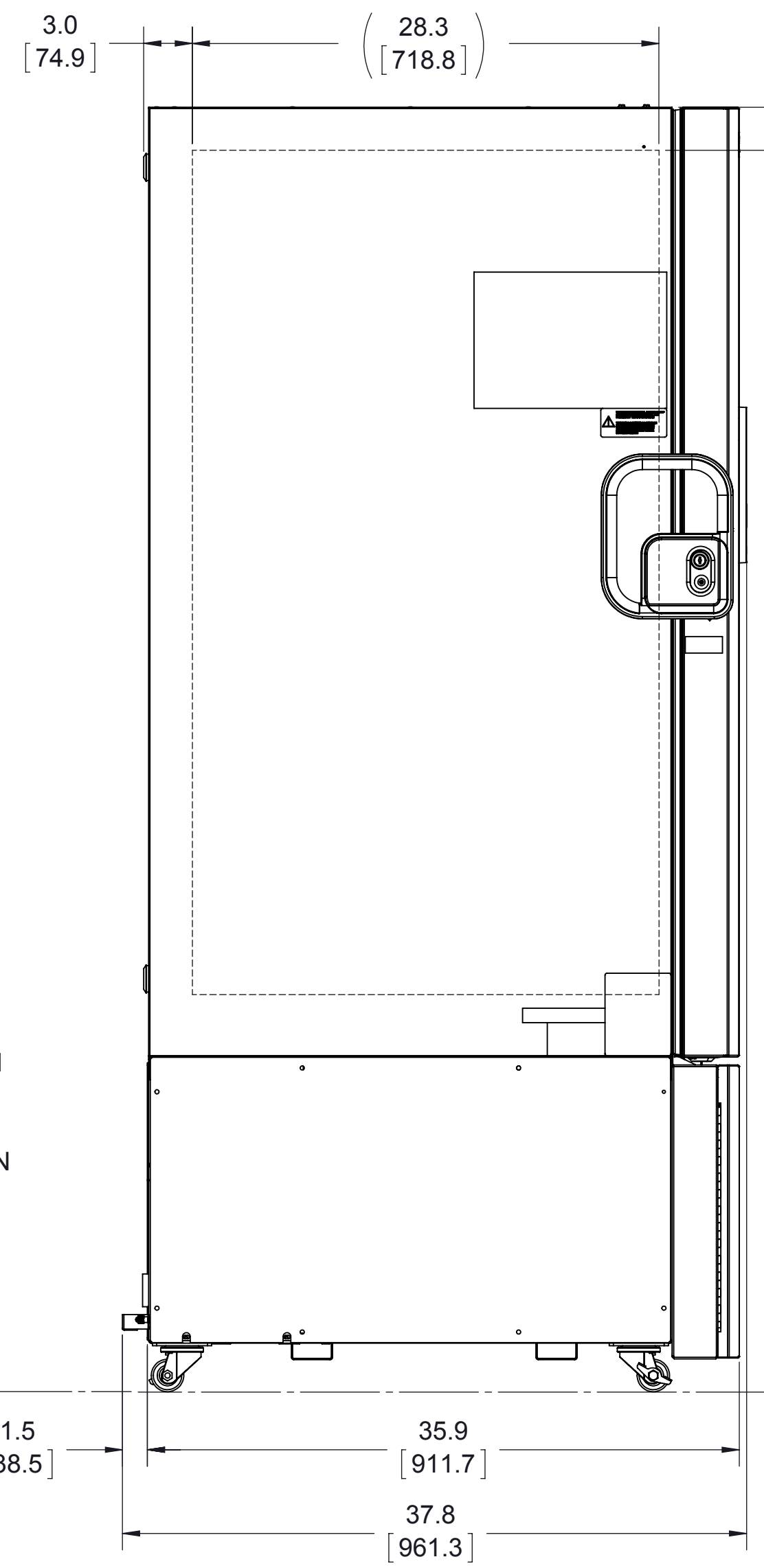
DETAIL VIEW OF GRILLE



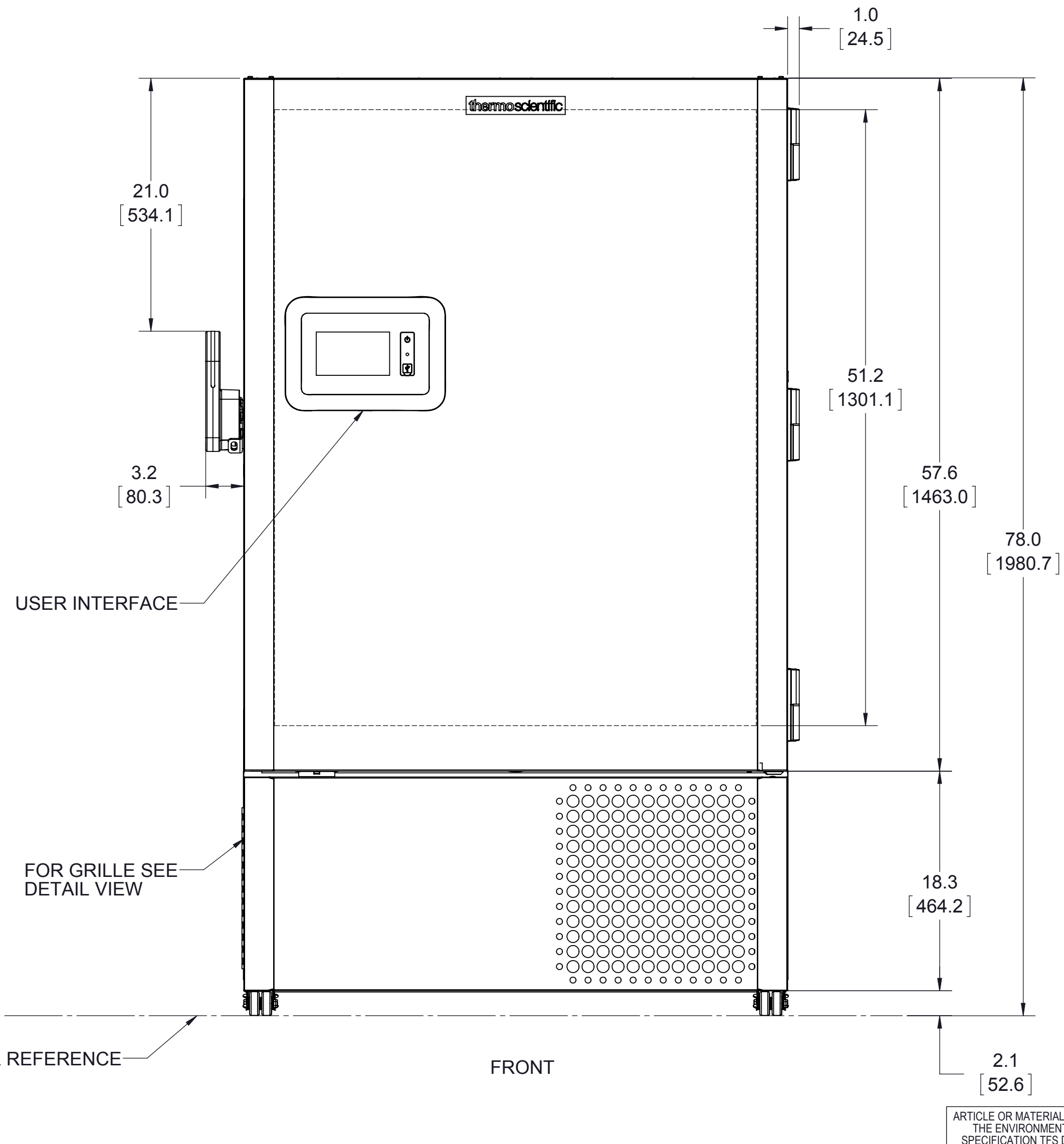
Ø 1.0 [25.4]
ACCESS PORTS

REMOTE ALARM CONTACT
SERIAL COMMUNICATION
POWER SWITCH
POWER PLUG

BACK



FLOOR REFERENCE



USER INTERFACE

FOR GRILLE SEE
DETAIL VIEW

FRONT

- NOTES:
1. VERIFICATION OF ALL DIMENSIONS, SPECS, & NOTES REQUIRED FROM THE SUPPLIER AT THE TIME OF FIRST ARTICLE SUBMISSION. THIS SHALL INCLUDE MEASUREMENTS FROM THE FIRST ARTICLE SAMPLES.
 2. SYMBOLS, DESIGNATIONS AND GENERAL DRAWING METHODS ENGWI002.
 3. DUAL DIMENSION IS INCH OVER METRIC.
 4. BASIC DIMENSION TOLERANCE UNLESS OTHERWISE SPECIFIED: .X = 0.100"

REV	DCO #	DATE	DESCRIPTION
A	004030	2017-05-23	INITIAL RELEASE

REVISIONS

ThermoFisher SCIENTIFIC

275 AIKEN ROAD
ASHEVILLE, NC 28804

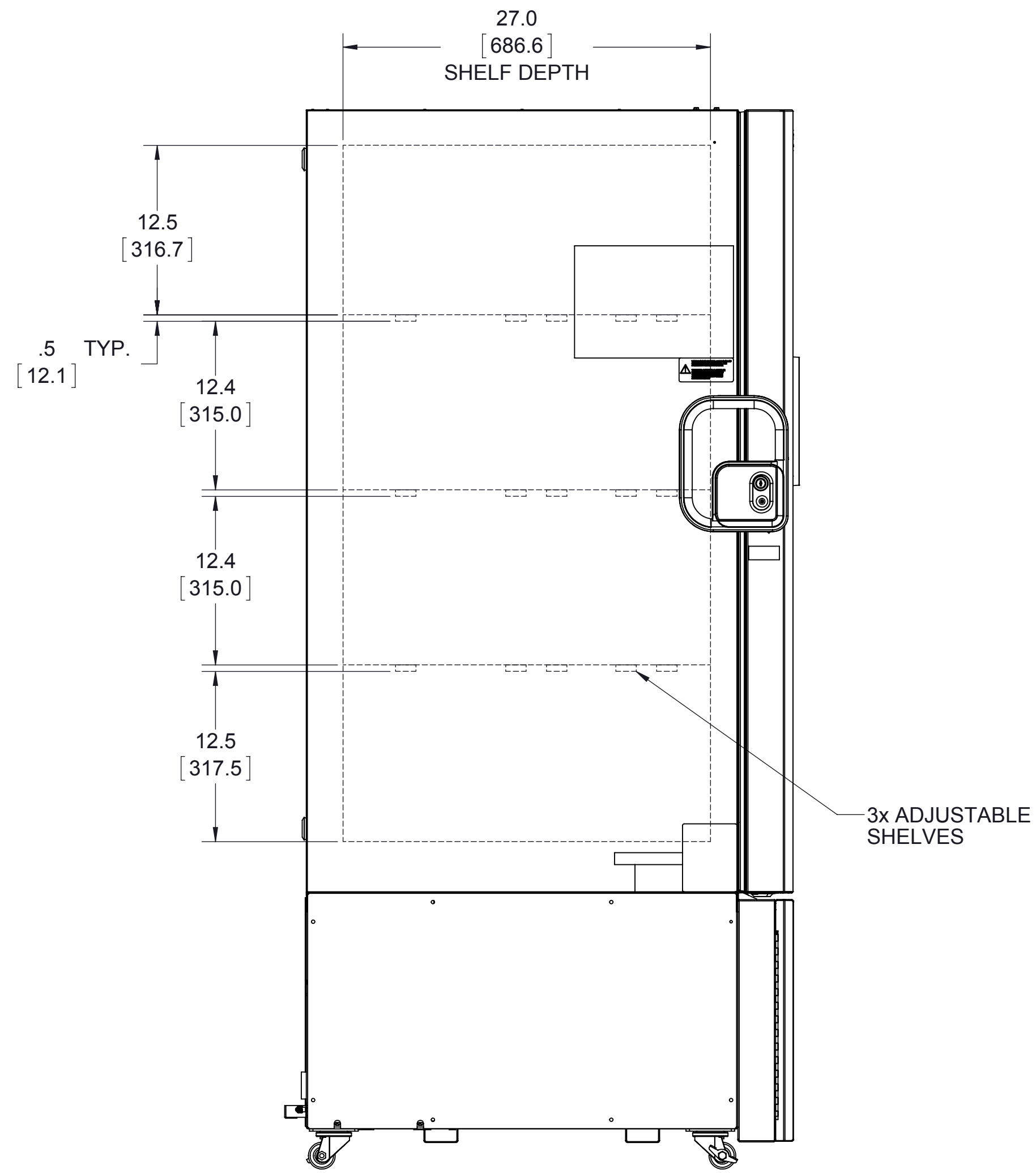
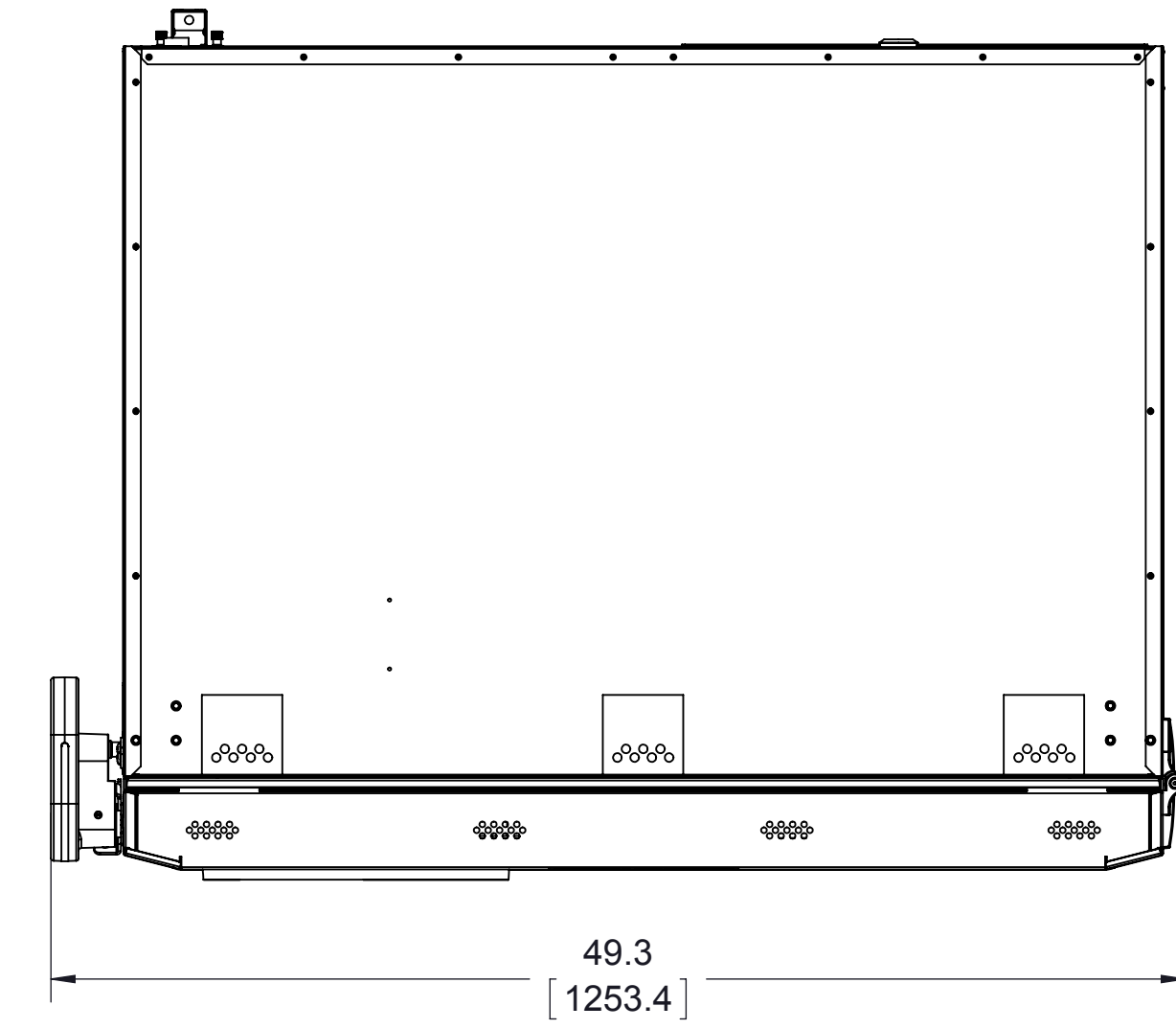
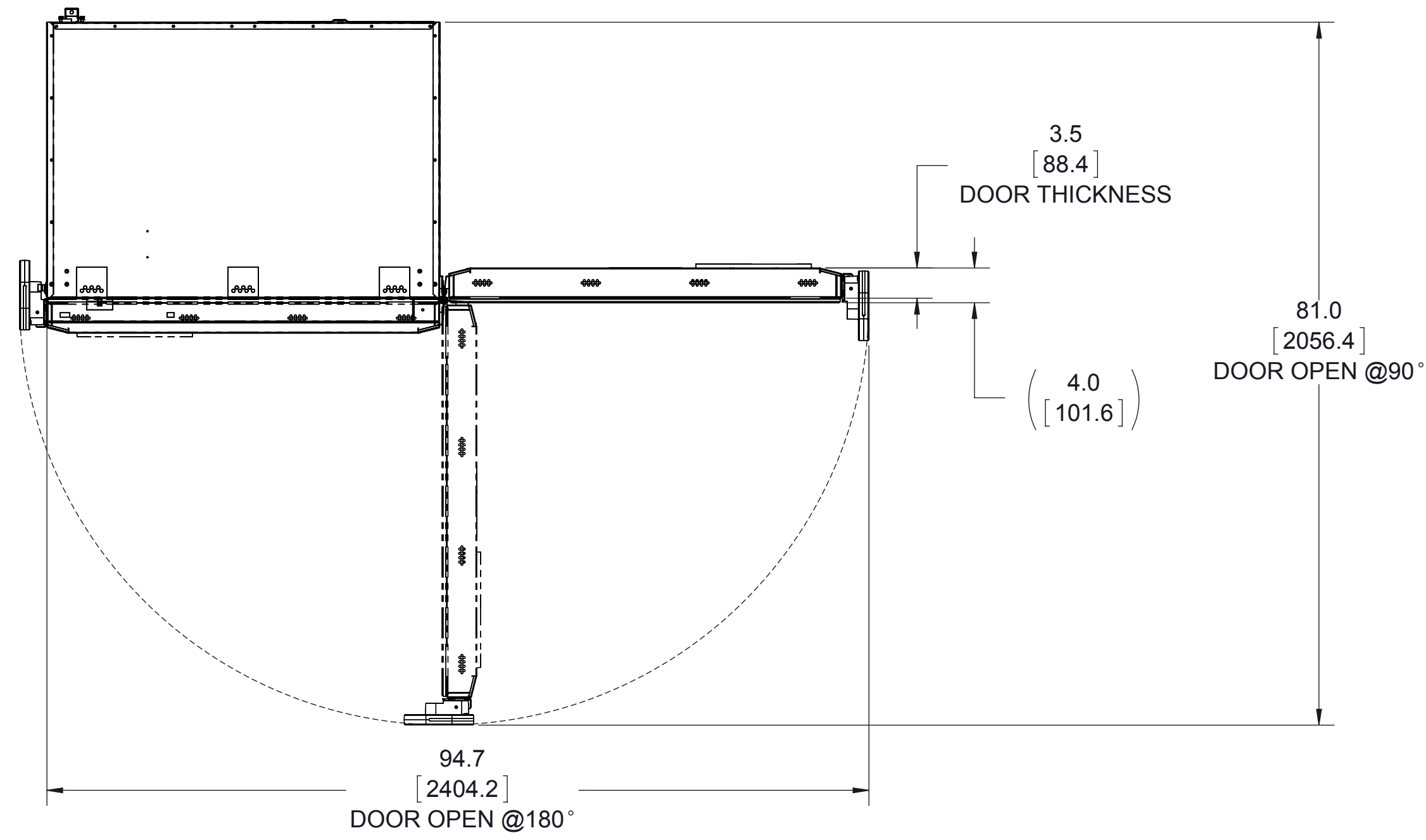
TITLE: UNIT DIMENSIONAL DRAWING, 700, TSX

ARTICLE OR MATERIAL MUST COMPLY WITH THE ENVIRONMENTAL COMPLIANCE SPECIFICATION TFS DRAWING 260111S01

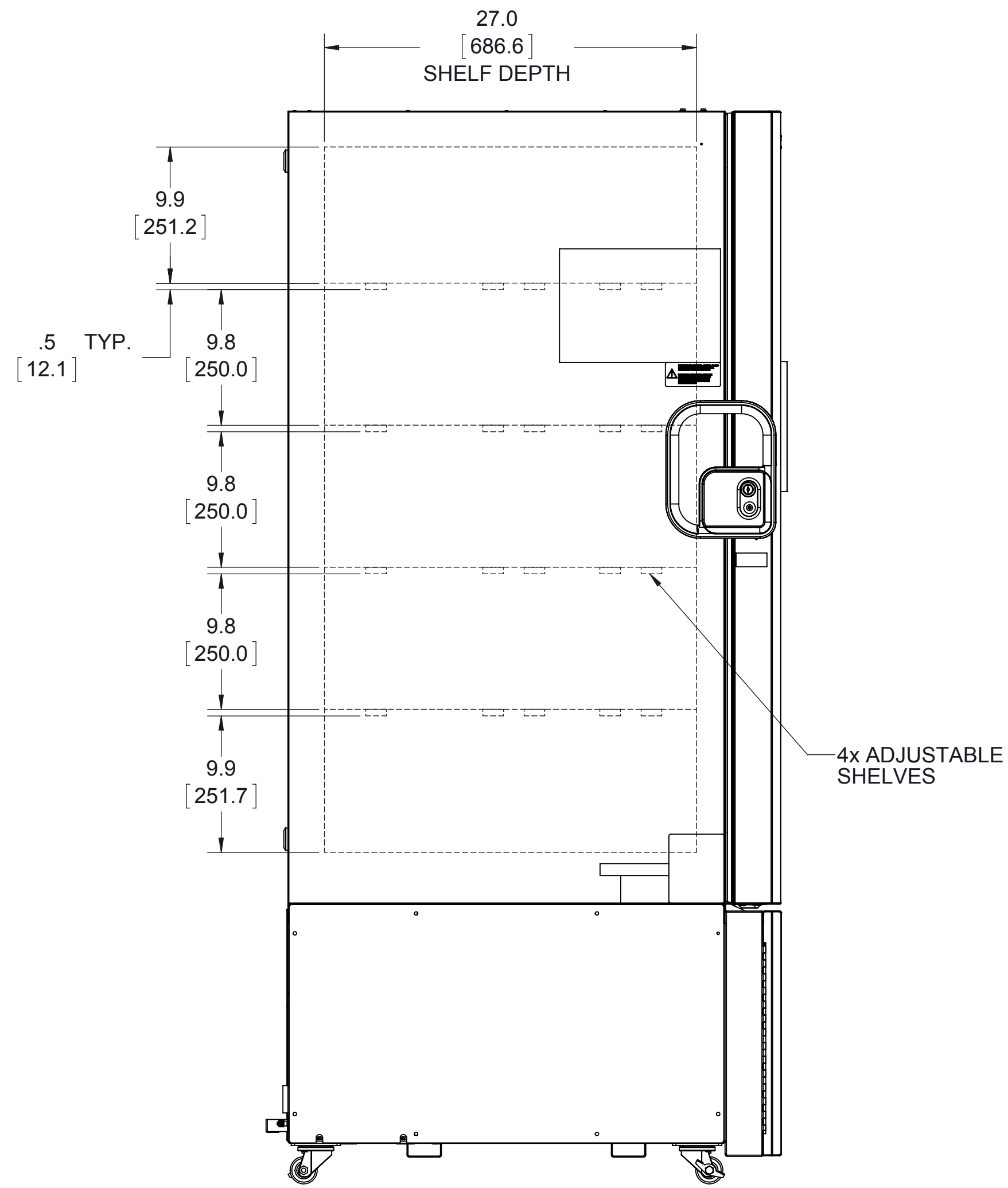
3RD ANGLE PROJECTION

DWG. NO. 328048H05

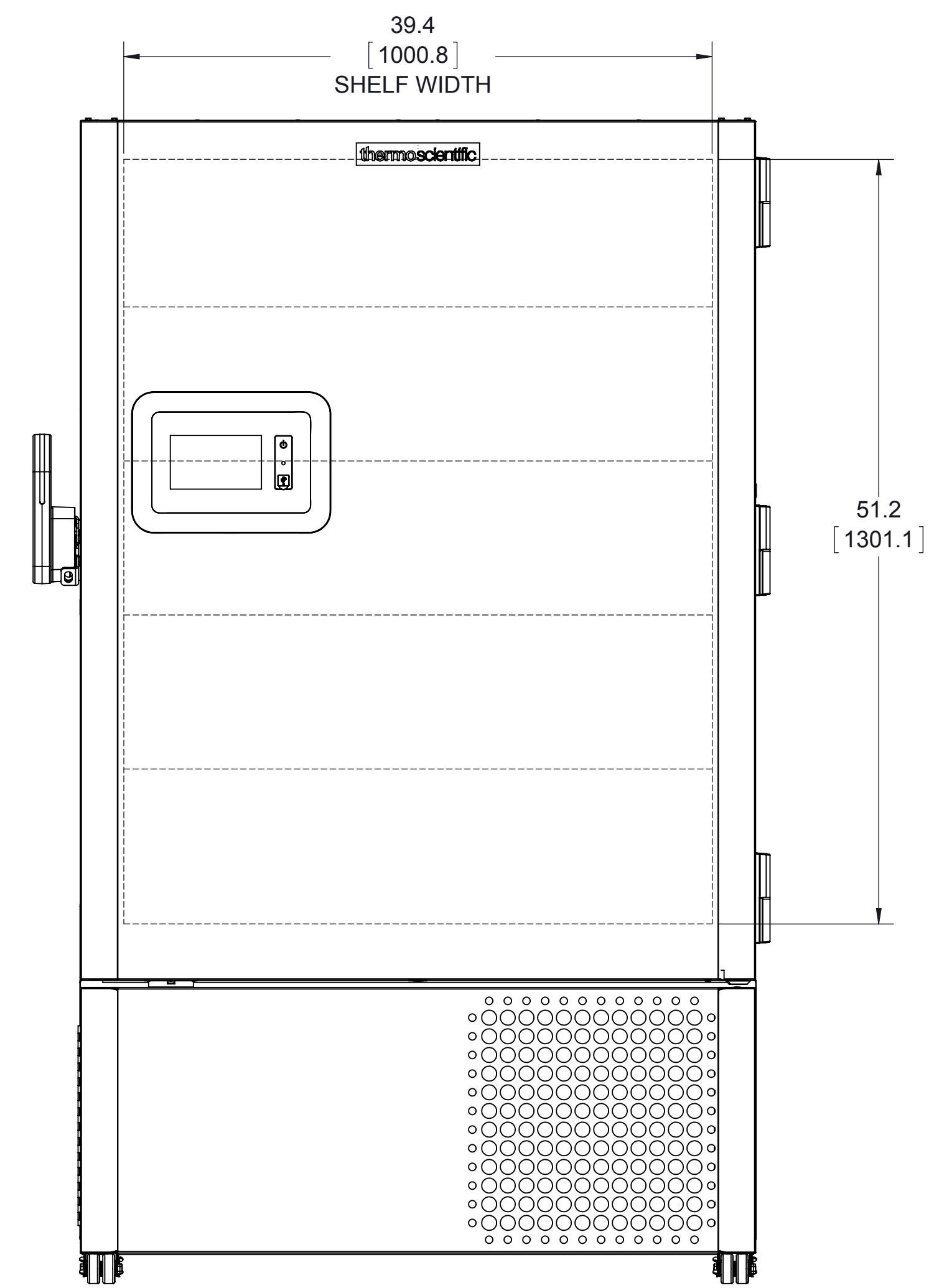
SIZE: D SHEET 1 OF 2



3 SHELVES



4 SHELVES



REV	DCO #	DATE	DESCRIPTION
A	004030	2017-05-23	SEE SHEET 1

REVISIONS

ThermoFisher SCIENTIFIC

THE INFORMATION CONTAINED HEREIN IS THE PROPRIETARY DATA OF THERMO FISHER SCIENTIFIC. IT IS NOT TO BE REPRODUCED OR DISCLOSED IN WHOLE OR IN PART WITHOUT PRIOR WRITTEN CONSENT OF THERMO FISHER SCIENTIFIC. DO NOT SCALE THIS DRAWING.

275 AIKEN ROAD
ASHEVILLE, NC 28804

ARTICLE OR MATERIAL MUST COMPLY WITH THE ENVIRONMENTAL COMPLIANCE SPECIFICATION TFS DRAWING 260111S01

3RD ANGLE PROJECTION

DWG. NO. 328048H05

SIZE D SHEET 2 OF 2